

Formulate Kiosk - 03

FMLT-KIOSK-03

Formulate® Kiosks combine lightweight aluminum tube frames with state-of-the-art printed stretch zipper pillowcase fabric graphics to create funky and functional multimedia kiosks.



features and benefits:

- Premium aluminum tube frame with snap button assembly
- Easy to store and ship
- Quick to set up
- Pillowcase fabric graphic
- Kit includes: medium monitor mount, can hold 32-55" monitor/ max weight 40lbs
- Lifetime limited hardware warranty against manufacturer defects

dimensions:

Hardware	Graphic
<p>Assembled unit: 55.12" w x 95.93" h x 38.48" d 1400mm(w) x 2437mm(h) x 978mm(d)</p> <p>Approximate weight with cases: 125 lbs / 28 kgs</p>	<p>Refer to related graphic template for more information.</p> <p>Visit: www.exhibitors-handbook.com/graphic-templates</p>
Shipping	
<p>Packing case(s): 1 OCE-2 1 OCH</p> <p>Shipping dimensions: OCE-2: Expandable case length (l) may vary 40" - 66" l x 18" h x 18" d 1016mm-1677mm(l) x 458mm(d) x 458mm(d)</p> <p>OCH: 50" l x 29" h x 12" d 1270mm(l) x 737mm(h) x 305mm(d)</p> <p>Approximate total shipping weight (includes cases & graphics): 129 lbs / 58 kgs</p>	
	additional information:
	<p>Graphic material: dye-sublimation zipper pillowcase fabric</p>
	Tabletop Colors
	<p>silver black mahogany natural</p>

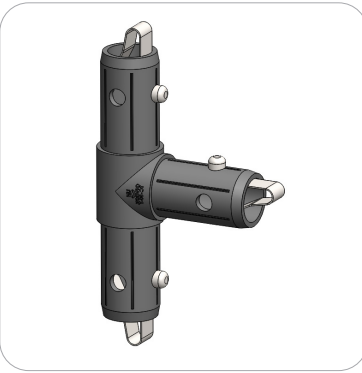
We are continually improving and modifying our product range and reserve the right to vary the specifications without prior notice. All dimensions and weights quoted are approximate and we accept no responsibility for variance. E&OE. See Graphic Templates for graphic bleed specifications.

Included In Your Kit

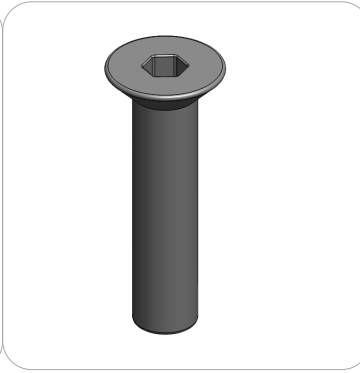
Tools, Components, & Connectors



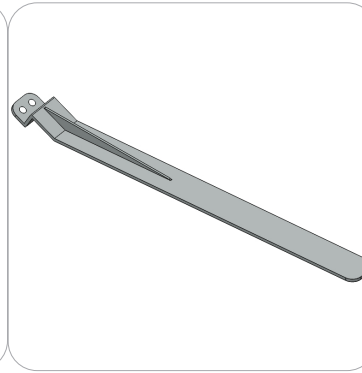
ALLEN KEY SET x1



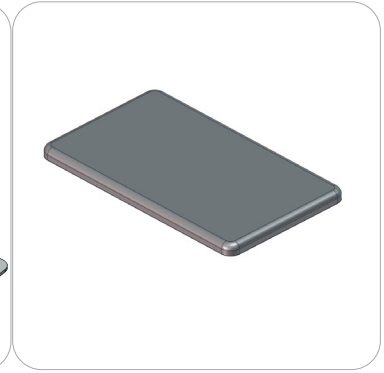
TC-30-T x2



LN114-SCRW x2



PLT-BP-WVC-STD x2



V-CW-CT-01-B x1



TC-30-90T x2



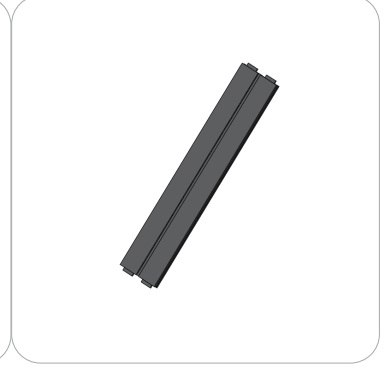
TC-30-90B x2



V-LG-02 x1



PM2R-600-HL-L x1



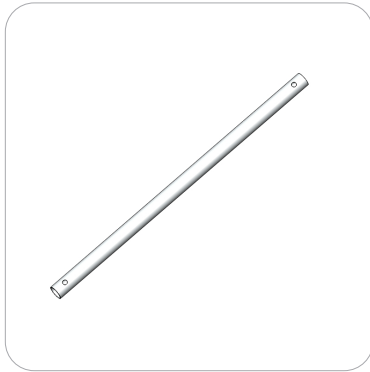
PS2-350-S-S-OUT x1



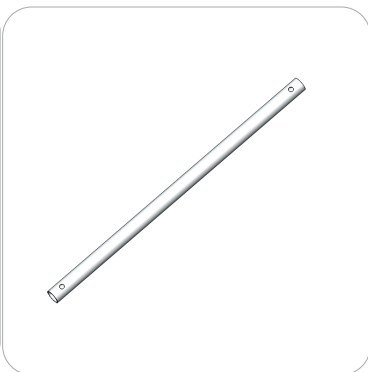
PM4S3-MK-M x1

Included In Your Kit

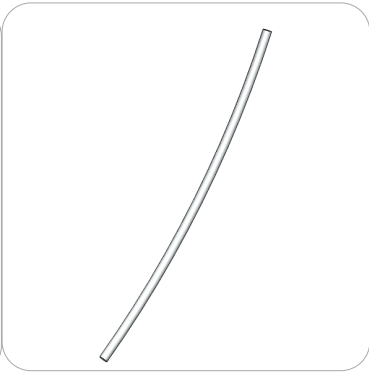
Tubes



FMLT-DS-20-05-B-T1 x2

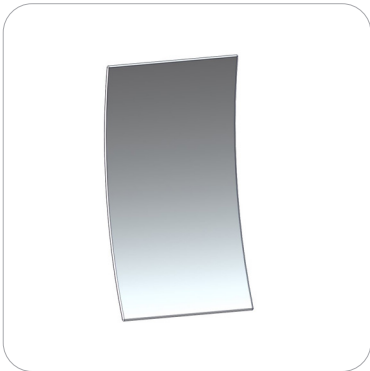


FMLT-DS-20-05-B-T2 x1



FMLT-DS-20-05-B-T3 x4

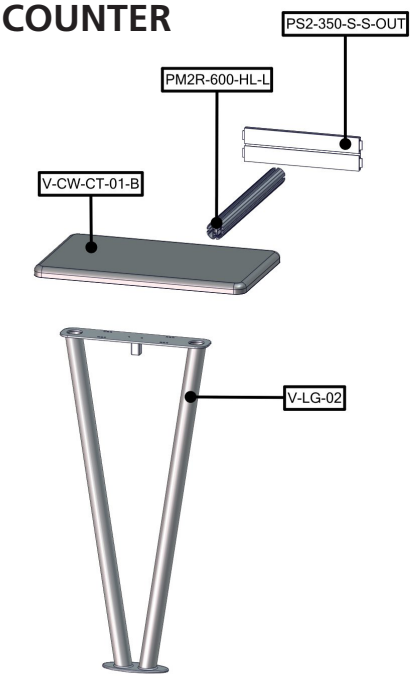
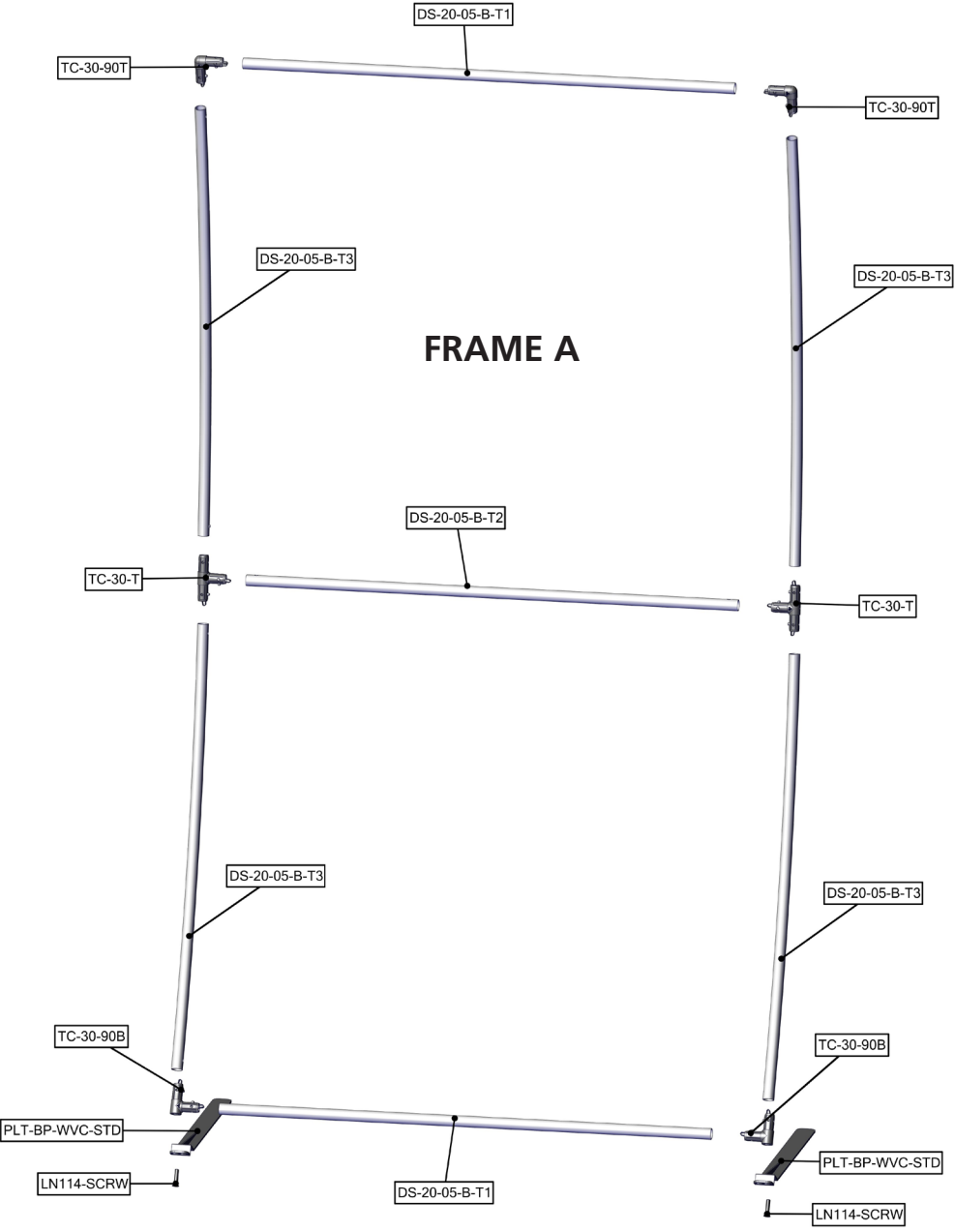
Graphics



FMLT-KIOSK-03-G x1

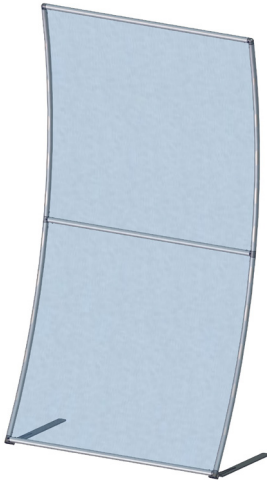
Exploded View

FMLT-KIOSK-03

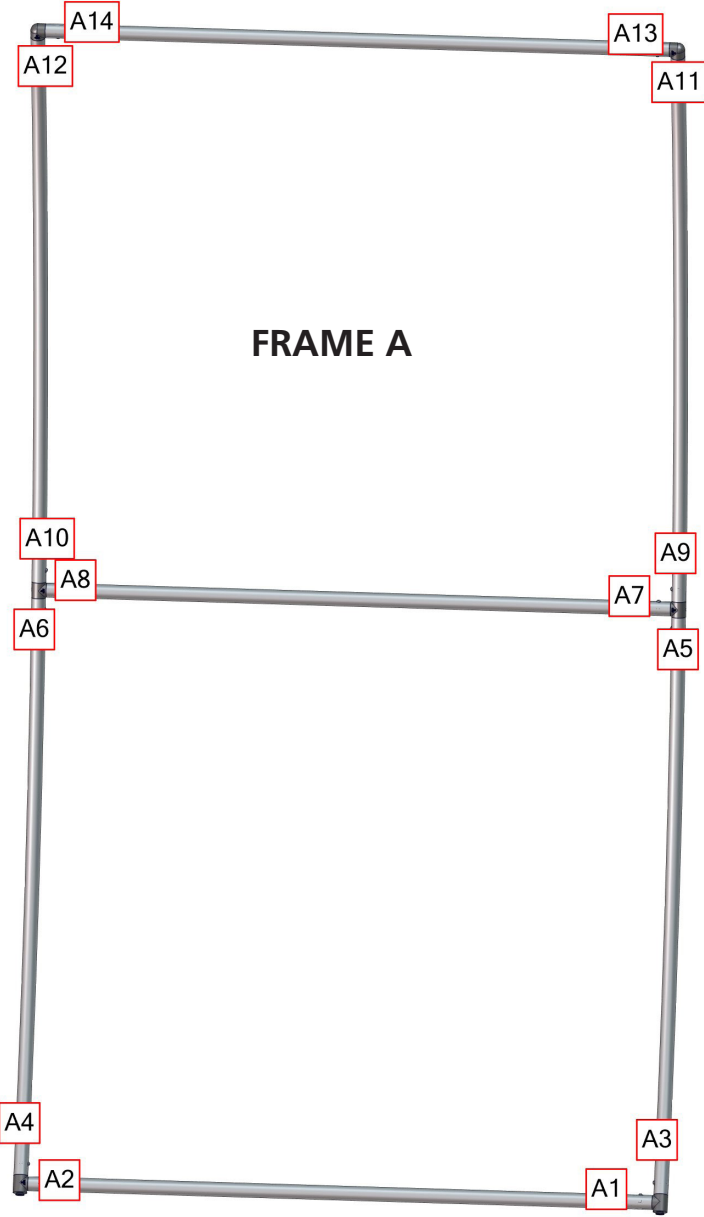
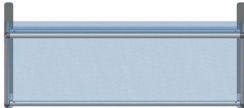


Labeling Diagram

FMLT-KIOSK-03



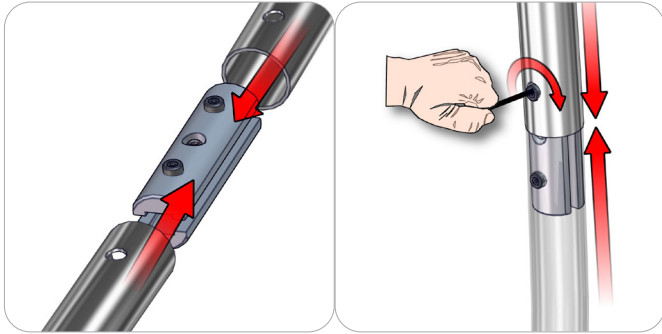
OVERVIEW



Connection Methods

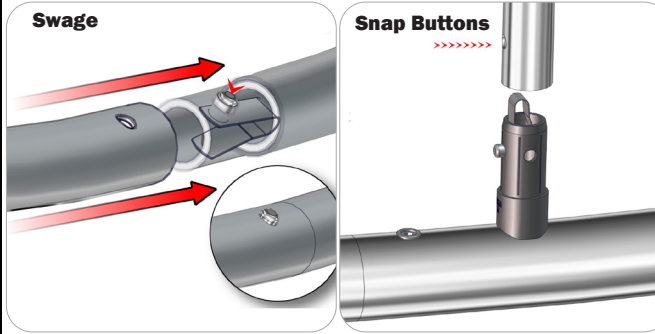
Formulate® structures use a number of different yet simple connection methods. Your kit will include one or more of the connection methods shown below. Steps within the Kit Assembly will reference a specific method for each connection point.

Connection Method 1: ES30 / ES50 / ES75



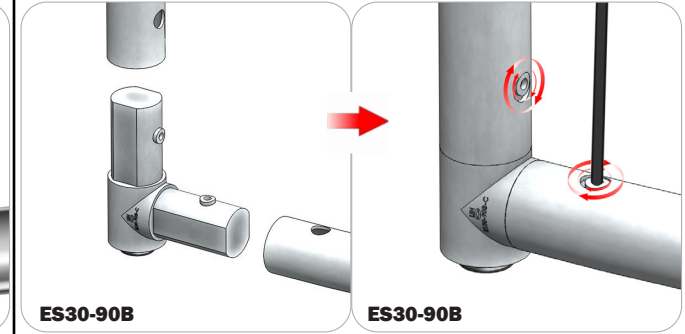
Compress the unlocked connector and slide one tube onto each end. Lock both screws carefully using your allen key tool. Be sure to lock securely, but do not overtighten.

Connection Method 2: Snap Buttons & Swage



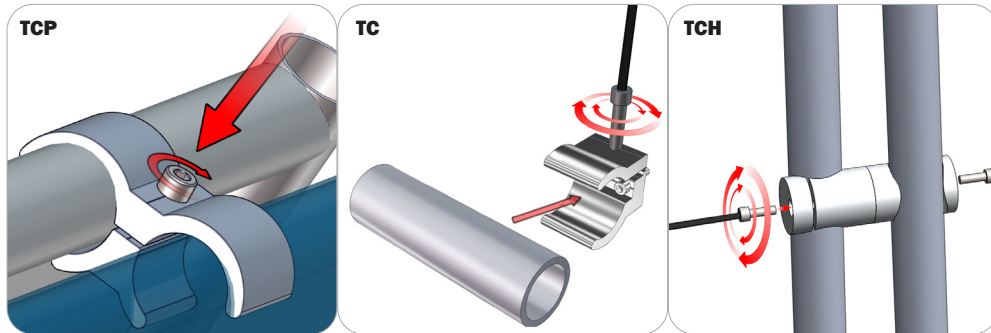
Locate the snap button on the connector or swage tube. Locate the hole on the corresponding tube. Press the snap button with your thumb and slide the tube and connector together so that the snap button snaps fully into the lock hole. To disassemble, press the snap button and pull apart.

Connection Method 3: ES30-90B / ES30-I / ES30-C



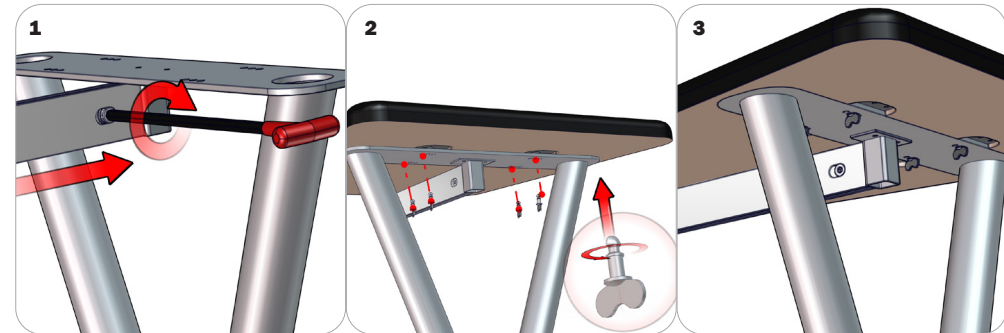
Compress one unlocked end of the connector and slide it through one tube end. Compress the other end of the connector and slide the second tube on. Lock both screws carefully using your allen key tool. Be sure to lock securely, but do not overtighten.

Connection Method 4: Tube Clamps



Be sure to fully assemble all frames before using clamps. With the clamp unlocked, place one tube of the first frame into the mouth of the clamp. Place the second tube (if applicable) into the second mouth of the clamp. With both frame's tubes in the clamp, be sure to lock securely, but do not overtighten.

Connection Method 5: Counter Top with Leg



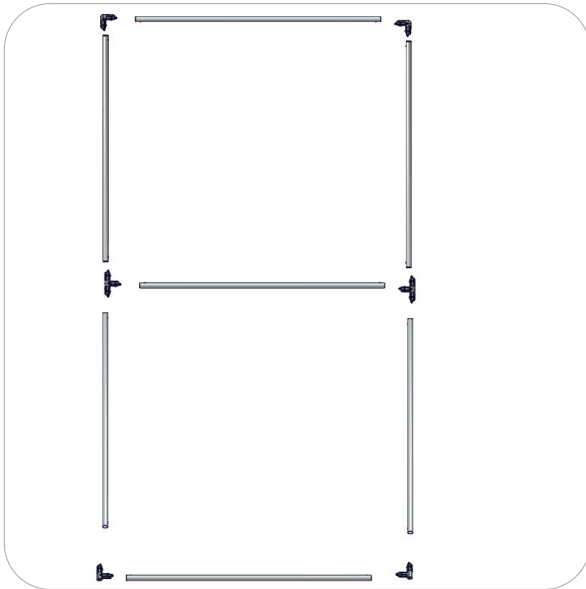
Be sure to fully assemble all frames before using counter tops. 1. With the cam unlocked, place it into the support leg hub. With the provided hand tool camlock securely, but do not overtighten. 2. Apply the counter top in place. Insert the thumb screw through the leg plate and into the underside of the counter. Make a 1/4 turn clockwise to tighten. 3. Setup complete.

Kit Assembly

Step by Step

Step 1.

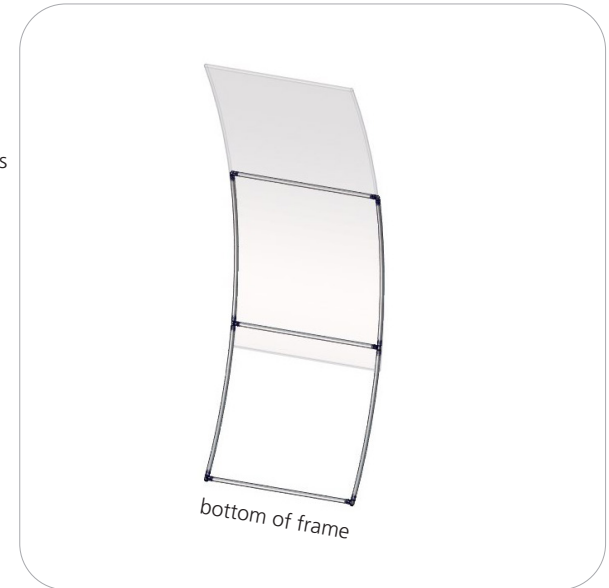
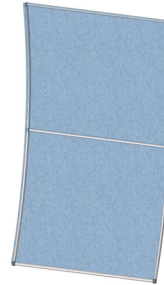
Locate the components necessary for assembling Frame A. Assemble your frame. Please reference Connection Method 2 for more details.



Step 2.

Fit the graphic onto your tube structure. For ease of installation, pull the fabric cover over the top of the frame while the frame rests flat on the floor. Zip to enclose.

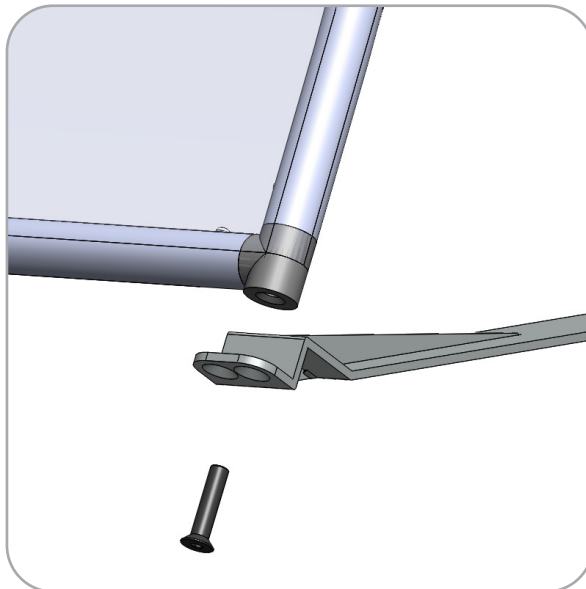
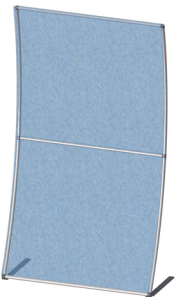
Zipper Located on the bottom of Graphic.



Step 3.

Attach the feet to your frame using the LN114-SCRWS.

Assemble your monitor kiosk completing only Steps 1-3 of its instruction manual at this point.



Step 4.

Align the monitor stand behind the tube structure.

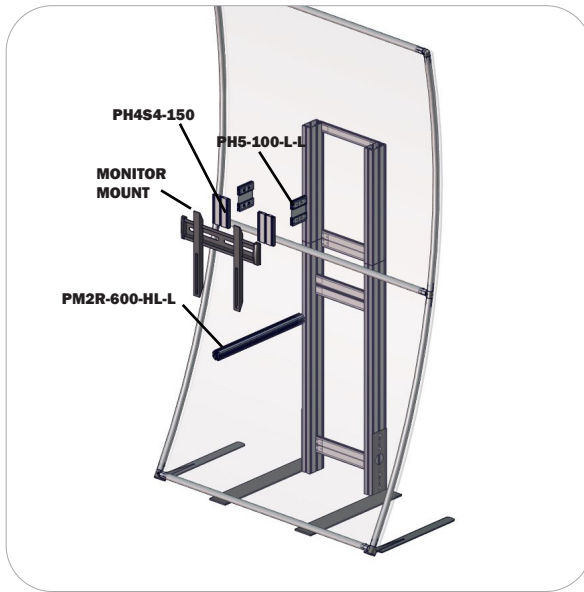


Kit Assembly

Step by Step

Step 5.

Measure from the ground to the center of the holes of your tube structure graphic. Lock the center of your PH5 into the PM4S3 stacks at the height you collected. Lock your PM4S4 to ends of your PH5. Lock PM2R-600-HL-L to PS2's center channel. Attach monitor mount.



Step 6.

Lock your table leg to the PM2R-600-HL-L by locking it to the channel the leg provides. Attach the counter top to the leg.

Please reference Connection Method 5 for more details.



Step 7.

Setup complete.

