

Barricade Cover

STANDARD 6' & 8' CODES: LOCATED IN GRAPHIC SECTION

CUSTOM CODES: LOCATED IN GRAPHIC SECTION

Custom barricade covers are a common sight at high schools, hospitals, city offices, concerts and college campuses across the US. Our barricade covers can transform your barricades into attractive marketing and informational tools. These covers are custom made to fit your 6ft or 8ft heavy duty and economy steel barricades. Our graphics are custom printed for indoor (power stretch) or outdoor (canvas) use. Our Outdoor canvas material is water and UV-resistant.



We are continually improving and modifying our product range and reserve the right to vary the specifications without prior notice. All dimensions and weights quoted are approximate and we accept no responsibility for variance. E&OE. See Graphic Templates for graphic bleed specifications.

features and benefits:

- Compatible with most 6ft and 8ft Barricades
- Power Stretch graphics are intended for indoor use
- Outdoor Canvas graphics are intended for outdoor use. This material is water and UV resistant

- Graphics feature openings for your barricade hooks as well as zippers on the side for a snug fit
- 6 month warranty on graphics
- Custom sized graphics are also offered - see page 2 and 3 for measurement instructions

Graphic

- Power Stretch graphics (indoor use):
- 6ft single sided with white backer:
CTRL-BRCD-72X36-PS-G-W
 - 6ft single sided with black backer:
-CTRL-BRCD-72X36-PS-G-B
 - 6ft double sided:
CTRL-BRCD-72X36-PS-GDBL
 - 8ft single sided with white backer:
CTRL-BRCD-97X36-PS-G-W
 - 8ft single sided with black backer:
-CTRL-BRCD-97X36-PS-G-B
 - 8ft double sided:
CTRL-BRCD-97X36-PS-GDBL

- Outdoor Canvas graphics (outdoor use):
- 6ft single sided with white backer:
-CTRL-BRCD-72X36-ODC-G
 - 6ft double sided:
- CTRL-BRCD-72X36-ODC-GDBL
 - 8ft single sided with white backer:
CTRL-BRCD-97X36-ODC-G
 - 8ft double sided
-CTRL-BRCD-97X36-ODC-GDBL

Refer to related graphic template for more information.

Visit:

www.exhibitors-handbook.com/graphic-templates

Please be sure to include 2" bleed around the perimeter

Custom graphic options:

- Single sided Power Stretch graphic with white backer: **CTRL-BRCD-CUS-PS-G-W**
- Single sided Power Stretch graphic with black backer: **CTRL-BRCD-CUS-PS-G-B**
- Double sided Power Stretch graphic:
CTRL-BRCD-CUS-PS-GDBL
- Single sided Outdoor Canvas graphic:
CTRL-BRCD-CUS-ODC-G
- Double sided Outdoor Canvas graphic:
CTRL-BRCD-CUS-ODC-GDBL

Shipping

Packing box(es):

18"l x 6"h x 4"d
457mm(l) x 152mm(h) x 101mm(d)
Approximate weight: 3 lbs. / 2 lbs.



This product may include the following materials for recycle:
aluminum, select wood, fabric, cardboard, paper, steel, and plastics.

How to measure your barricade for custom sizes

Measurements: Write measurements from diagrams below next to the correct letters.

A: _____

B: _____

C: _____

D: _____

E: _____

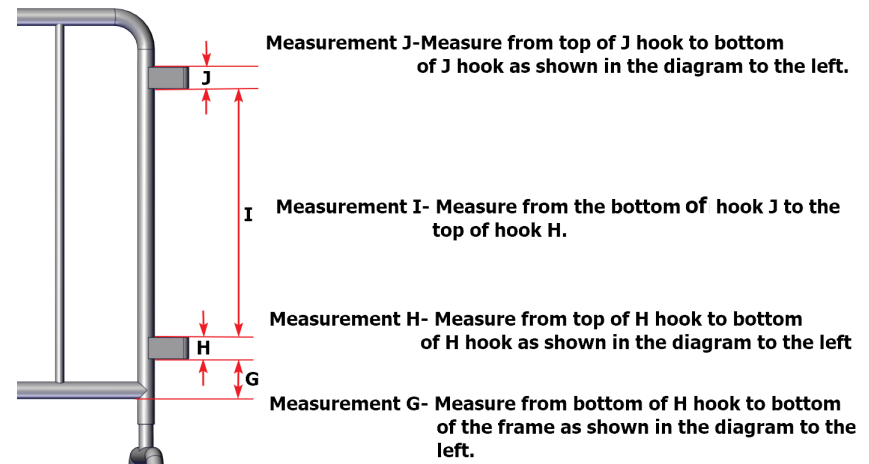
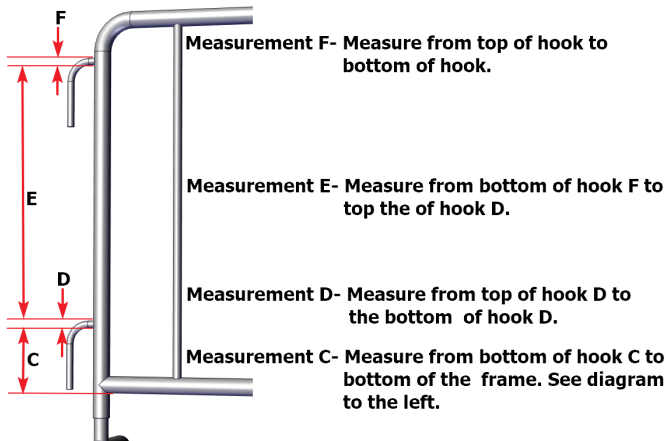
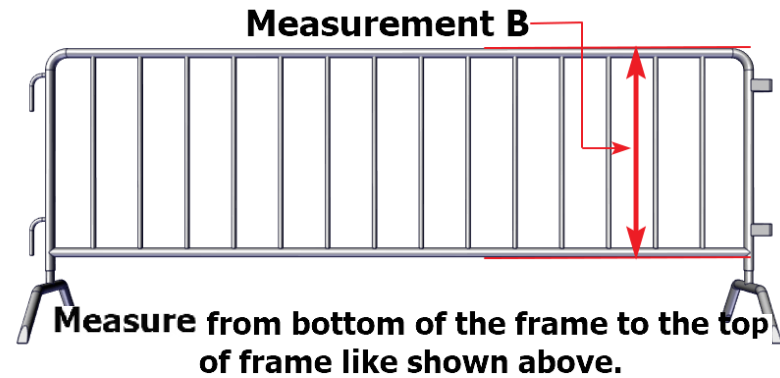
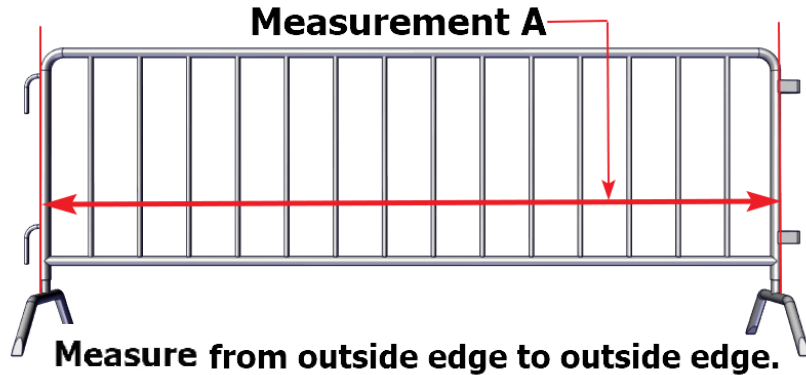
F: _____

G: _____

H: _____

I: _____

J: _____



Measurements Continued

Write measurement from diagram below next to the correct letters.

K: _____

Are the top corners rounded or squared: _____



Measurement K- Measure diameter or thickness of frame tube as shown below.



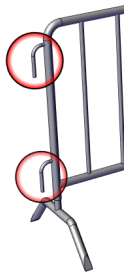
Install Graphics



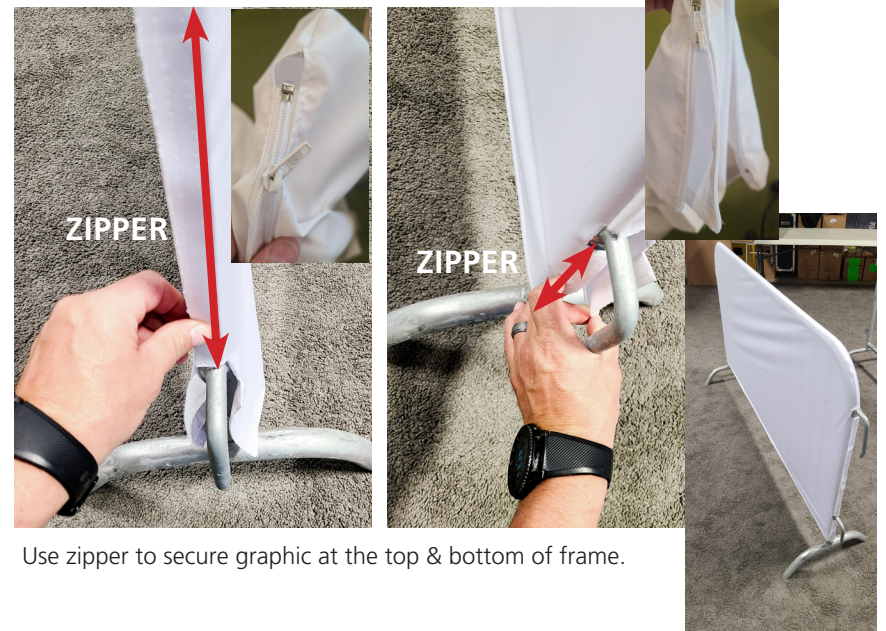
Starting with the side of your graphic that does NOT include the zipper, drape graphic over frame evenly as seen above.



Pull graphic down slowly over the this side of your barricade. Insert top and bottom barricade hooks into the slits in the graphic.



Pull graphic across frame and down the second side of your barricade. Smooth out any wrinkles. Insert top and bottom barricade hooks into the slits in the graphic.



Use zipper to secure graphic at the top & bottom of frame.